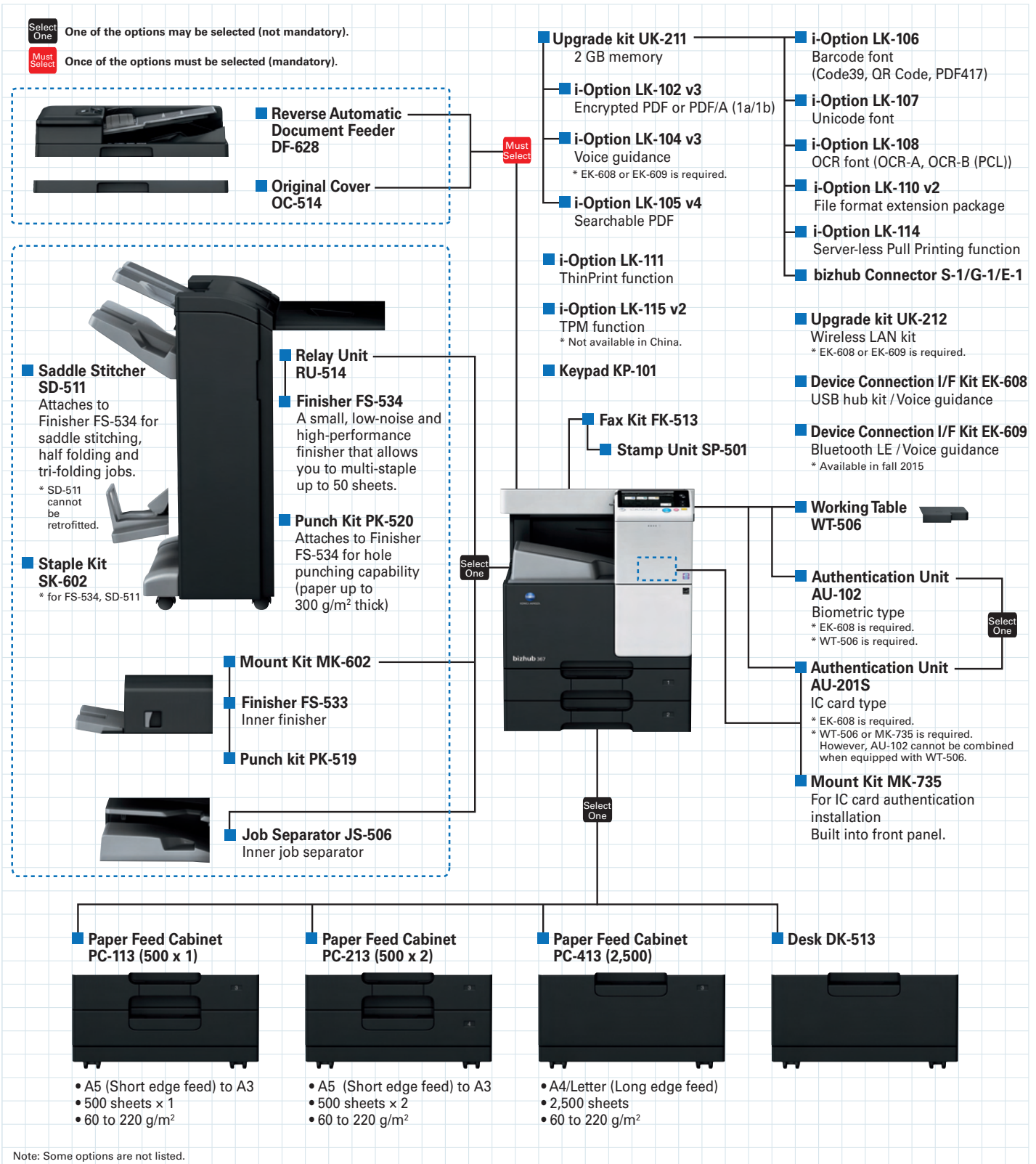




KONICA MINOLTA

# bizhub 367/287/227 Spec Sheet

## System



Note: Some options are not listed.

# Specifications

## bizhub 367/287/227 General Specifications

		bizhub 367	bizhub 287	bizhub 227
Type		Desktop Printer / Copier / Scanner		
Copy Resolution	Scan	Main: 600 dpi × Sub: 600 dpi		
	Print	1,800 dpi (equivalent) × 600 dpi		
Gradation		256		
Memory Capacity (Std./Max.)		2 GB/4 GB		
HDD		250 GB (optional)		
Original Type		Sheets, Books, Objects		
Max. Original Size		A3 (11" × 17")		
Output Size		Main unit: A3 to A5, 11" × 17" to 8-1/2" × 11", 5-1/2" × 8-1/2", 8" × 13", 16K, 8K Bypass Tray: A3 to A5, B6 <sup>2</sup> , A6 <sup>2</sup> , 11" × 17" to 5-1/2" × 8-1/2", 8" × 13", 16K, 8K, Postcard (A6 4" × 6" Card), Envelope <sup>3</sup> , Label sheet, Tab paper <sup>4</sup>		
Image Loss		Max. 4.2mm or less for top edge (5 mm for thin paper), Max. 3.0mm or less for bottom edge, Max. 3.0mm or less for right/left edges <sup>4</sup> A loss of 4.2 mm each during printing.		
Warm-Up Time <sup>4</sup> (23°C, std. voltage)		20 sec. or less		
*The time required to start printing when both the main power and sub-power switches are turned from OFF to ON.				
*The time required to start printing when the main power switch is ON and the sub-power switch is turned from OFF to ON.		15 sec. or less		
First Copy Out Time <sup>5</sup>		4.5 sec. or less	5.3 sec. or less	22 ppm
Copy Speed (A4)		36 ppm	28 ppm	22 ppm
Copy Magnification	Fixed Same Magnification	1: 1±0.5% or less		
	Scaling Up	1: 1.154/1.224/1.414/2.000		
	Scaling Down	1: 0.866/0.816/0.707/0.500		
	Preset	3 types		
	Zoom	25 to 400% (in 0.1% increments)		
	Lengthwise Crosswise Individual Settings	25 to 400% (in 0.1% increments)		
	Space	25 to 400% (in 0.1% increments)		
Paper Capacity (80 g/m <sup>2</sup> )	Tray 1	500 sheets (up to B4)		
	Tray 2	500 sheets (up to A3)		
	Multiple Bypass Tray	100 sheets (up to A3)		
Max. Paper Capacity (80 g/m <sup>2</sup> ) <sup>6</sup>	3,600 sheets			
Paper Weight	Tray 1 / 2	60 to 220 g/m <sup>2</sup>		
	Multiple Bypass Tray	60 to 220 g/m <sup>2</sup>		
Multiple Copy		1 to 9,999 sheets		
Auto Duplex	Paper Size	A3 to A5 <sup>2</sup> , B5 <sup>7</sup> , 11" × 17" <sup>2</sup> to 5-1/2" × 8-1/2" <sup>2</sup> , 7-1/4" × 10-1/2", 8" × 13" <sup>2</sup> , 16K, 8K <sup>2</sup>		
	Paper Weight	60 to 209 g/m <sup>2</sup>		
Power Requirements		AC230 V 7 A (50 to 60 Hz)		
Max. Power Consumption		1.5 kW or less		
Dimensions [W] × [D] × [H]		585 × 660 × 735 mm (23-1/16" × 26" × 28-15/16")		
Weight		Approx. 56.5 kg (124-1/2 lb)		
Space Requirements [W] × [D] <sup>8</sup>		899 × 1,172 mm (35-1/2" × 46-1/4")		

\*1 There are six types of foils: 8-1/2" × 13-1/2"<sup>2</sup>, 220 mm × 330 mm<sup>2</sup>, 8-1/2" × 13"<sup>2</sup>, 8-1/4" × 13"<sup>2</sup>, 8-1/8" × 13-1/4"<sup>2</sup>, and 8" × 13"<sup>2</sup>. Any one of these sizes is selectable. For details, contact your service representative.

\*2 Short edge feed

\*3 Wrinkles or printing errors may occur due to the type, storage or environment that exists when envelope printing is carried out.

\*4 May vary depending on the operating environment and usage.

\*5 A4 long edge feed full size/using the first tray/scanning from the original glass surface.

\*6 With options installed.

\*7 Long edge feed

\*8 Without options, with paper trays pulled out and multiple bypass tray open.

## Printer Specifications

Type		Embedded
CPU		ARM Cortex-A7 Dual-core 1.2GHz
Memory		Shared with the copier
Print Speed		Same as Copy Speed (when using the same original)
HDD		250 GB (Shared with the copier)
Print Resolution		1,800 dpi (equivalent) × 600 dpi
PDL		PCL 6, PostScript 3 Emulation, XPS
Protocol		TCP/IP, IPX/SPX (NDS support), SMB (NetBEUI), LPD, IPP1.1, SNMP, AppleTalk
Support OS		Windows Vista <sup>*1</sup> / 7 <sup>*1</sup> / 8 <sup>*1</sup> / 8.1 <sup>*1</sup> Windows Server 2008 <sup>*1</sup> / 2008 R2 / 2012 / 2012 R2 Mac OS X (10.6 / 10.7 / 10.8 / 10.9 / 10.10) Linux
Fonts	PCL	80 Roman fonts
	PS	137 Roman Type1 fonts
Interface		Ethernet (10BASE-T/100BASE-TX/1000BASE-T), USB 1.1, USB 2.0, IEEE 802.11 b/g/n <sup>*2</sup>

\*1 Supports the 32-bit (x86) or 64-bit (x64) environment.

\*2 Optional

## Scanning Specifications

Type		Full-Colour Scanner
Interface		Ethernet (10BASE-T/100BASE-TX/1000BASE-T), IEEE 802.11 b/g/n <sup>*1</sup>
Driver		TWAIN Driver, HDD TWAIN Driver
Protocol		TCP/IP (FTP, SMB, SMTP, WebDAV) (IPv4/IPv6)
Scanning Speed (Colour/B&W) (300 dpi, A4, Simplex)		45 opm <sup>*2</sup>
Scanning Size		Max. A3 (11" × 17")
Output Format		TIFF, JPEG, PDF Compact PDF, XPS, Compact XPS, OOXML (pptx, xlsx <sup>*1</sup> , docx <sup>*1</sup> ), Searchable PDF <sup>*1</sup> , PDF/A <sup>*1</sup> , Linearised PDF <sup>*1</sup>
Scanning Resolution	Push	200 dpi / 300 dpi / 400 dpi / 600 dpi
	Pull	100 dpi / 200 dpi / 300 dpi / 400 dpi / 600 dpi
Main Functions		Scan to E-Mail, Scan to FTP, Scan to BOX (HDD), Scan to PC (SMB), Network TWAIN, Scan to WebDAV, Scan to USB, Scan to Scan Server, Scan to Web Service (WSD-Scan), Device Profile for Web Services (DPWS)
Other Functions		Multi-Method Send, Authentication at the time of E-Mail send (SMTP authentication, POP before SMTP), S/MIME, Annotation

\*1 Optional

\*2 When using the Reverse Automatic Document Feeder DF-628.

## Internet Fax

Protocol	TX: SMTP, RX: POP3, TCP/IP Simple mode
Connection Mode	Full-Mode
Sending Paper Size	A3, B4, A4
Recording Paper Size	Max. A3
Resolution	B/W: 200 × 100 dpi, 200 × 200 dpi, 400 × 400 dpi, 600 × 600 dpi Colour: 200 × 200 dpi, 400 × 400 dpi, 600 × 600 dpi
Interface	Ethernet (10BASE-T/100BASE-TX/1000BASE-T)
Colour	Support Colour Internet Fax
Format	B/W: TIFF-F Colour: TIFF (Conforms to RFC3949 Profile-C)

## Fax Kit FK-513 (Optional)

Communication	Super G3
Compatible Lines	Public Switch Telephone Network, Private Branch Exchange, Fax Communication Line
Line Density	Ultra Fine: 600 dpi 600 dpi Super Fine: 16 dot/mm 15.4 line/mm, 400 dpi 400 dpi Fine: 8 dot/mm 7.7 line/mm, 200 dpi 200 dpi Normal: 8 dot/mm 3.85 line/mm
Modem Speed	2.4 to 33.6 kbps
Compression	MH/MR/MMR/JBIG
Sending Paper Size	Max. A3 (Long Length Support: Max. 1,000 mm)
Recording Paper Size	Max. A3 (Long Length Max. 1,000 mm — following the page division —)
Transmission Speed	Less than 2 sec. (A4, V34, 33.6 kbps, JBIG)
Memory	Shared with the copier
Number of Abbr. Dials	2,000
Number of Program Dials	400
Number of Group Dials	100
Sequential Multiple Station Transmission	Max. 600

## IP Address Fax \*Optional Fax Kit FK-513 is required.

Protocol Transmission	TCP/IP SMTP
Sending Paper Size	A3, B4, A4
Resolution	200 × 200 dpi, 400 × 400 dpi, 600 × 600 dpi
Format	B/W: TIFF-F TIFFS Colour: TIFF, PDF



## Reverse Automatic Document Feeder DF-628 (Optional)

Type		Circulatory duplex system
Support Paper Size		Max. A3 (Fax mode: Max. 1,000 mm)
Mixed Size		Support
Original Set		Centre guide
Support Paper Weight		Simplex: 35 to 128 g/m <sup>2</sup> Duplex/Mixed Original: 50 to 128 g/m <sup>2</sup>
Paper Capacity		Max. 130 sheets (68 g/m <sup>2</sup> )
Productivity (A4)	Simplex	Colour/B&W: 45 opm (300 dpi), 36 opm (600 dpi)
	Duplex	Colour/B&W: 22 opm (300 dpi), 17 opm (600 dpi)
Power Requirements		Supplied from the MFP main body
Dimensions [W] × [D] × [H]		585 × 504 × 127 mm (23" × 19-3/4" × 5")
Weight		Approx. 9 kg (19-3/4lb)



# Specifications

## Finisher FS-533 (Optional) \*Optional Mount Kit MK-602 is required.



Type	Finisher
Support Paper Type	Plain paper (60 to 90 g/m <sup>2</sup> ), Thick paper (91 to 220 g/m <sup>2</sup> ), Transparency, Envelope, Label sheet, Letterhead paper, Tab paper
Support Paper Size	A3 to A5, B6 <sup>1</sup> , A6 <sup>1</sup> , 11" x 17" to 5-1/2" x 8-1/2", 16K, 8K, Postcard (A6 (4" x 6" Card))
Mode	Sort, Group, Offset Sort, Offset Group, Staple
Stacking Capacity	500 sheets (60 to 90 g/m <sup>2</sup> , A4 <sup>1</sup> or smaller) 250 sheets (60 to 90 g/m <sup>2</sup> , B4 or larger) 10 sheets (91 to 220 g/m <sup>2</sup> , special paper)
Staple Capacity	50 sheets (60 to 90 g/m <sup>2</sup> , A4 <sup>1</sup> or smaller) 30 sheets (60 to 90 g/m <sup>2</sup> , B4 or larger) 2 sheets (91 to 209 g/m <sup>2</sup> , as cover pages)
Power Requirements	Supplied from the MFP main body
Max. Power Consumption	40 W or less
Dimensions [W] x [D] x [H]	472.5 x 583.5 x 194.7 mm (18-1/2" x 23" x 7-3/4")
Weight	Approx. 12 kg (26-1/2 lb)

\*1 Short edge feed

## Punch Kit PK-519 (Optional)



Applicable	Finisher FS-533
Number of holes	2 holes or 4 holes
Support Paper Type (Weight)	Plain paper (60 to 90 g/m <sup>2</sup> ), Thick paper (91 to 157 g/m <sup>2</sup> )
Support Paper Size	A3 to B5, 11" x 17" to 7-1/4" x 10-1/2"
Power Requirements	Supplied from Finisher FS-533
Dimensions [W] x [D] x [H]	110.2 x 483.5 x 203.2 mm (4-1/2" x 19" x 8")
Weight	Approx. 3.2 kg (7 lb)

## Job Separator JS-506 (Optional)



Support Paper Type (Weight)	Tray 1	Plain paper (60 to 90 g/m <sup>2</sup> ), Thick paper (91 to 220 g/m <sup>2</sup> ), Transparency, Envelope, Label sheet
	Tray 2	Plain paper (60 to 90 g/m <sup>2</sup> ), Thick paper (91 to 220 g/m <sup>2</sup> ), Transparency, Envelope, Label sheet
Support Paper Size	A3 to A5, B6 <sup>1</sup> , A6 <sup>1</sup> , 11" x 17" to 5-1/2" x 8-1/2", 16K, 8K, Postcard (A6 (4" x 6" Card))	
Stacking Capacity	Tray 1	100 sheets (60 to 90 g/m <sup>2</sup> )
	Tray 2	150 sheets (60 to 90 g/m <sup>2</sup> )
Power Requirements	Supplied from MFP main body	
Max. Power Consumption	24 W or less	
Dimensions [W] x [D] x [H]	451 x 469 x 227mm (17-3/4" x 18-1/2" x 9")	
Weight	Approx. 1.5 kg (3-1/4 lb)	

\*1 Short edge feed

## Finisher FS-534 (Optional)



Type	Finisher	
Support Paper Type	Plain paper (60 to 90 g/m <sup>2</sup> ), Thick paper (91 to 220 g/m <sup>2</sup> ), Transparency, Envelope, Label sheet, Letterhead paper, Tab paper	
Support Paper Size	A3 to A5, B6 <sup>1</sup> , A6 <sup>1</sup> , 11" x 17" to 5-1/2" x 8-1/2", 16K, 8K, Postcard (A6 (4" x 6" Card))	
Mode	Sort, Group, Offset Sort, Offset Group, Staple	
Stacking Capacity	Output tray 1 (Sub tray)	200 sheets (60 to 90 g/m <sup>2</sup> ) 20 sheets (91 to 220 g/m <sup>2</sup> , special paper)
	Output tray 2 (Main tray)	3,000 sheets (60 to 90 g/m <sup>2</sup> , A4 <sup>1</sup> or smaller, B5 or larger) *2,000 sheets when SD-511 is installed 1,500 sheets (60 to 90 g/m <sup>2</sup> , B4 or larger) 500 sheets (60 to 90 g/m <sup>2</sup> , A5 or smaller) 20 sheets (91 to 220 g/m <sup>2</sup> , special paper)
	Output tray 3 (Relay Unit top surface)	100 sheets (60 to 90 g/m <sup>2</sup> ) 20 sheets (91 to 220 g/m <sup>2</sup> , special paper)
	Staple Capacity	50 sheets (Plain Paper 60 to 90 g/m <sup>2</sup> ) 48 sheets (Plain paper 60 to 90 g/m <sup>2</sup> ) + 2 sheets (Thick paper 91 to 209 g/m <sup>2</sup> ) 30 sheets (Thick paper 91 to 120 g/m <sup>2</sup> ) 15 sheets (Thick paper 121 to 209 g/m <sup>2</sup> )
Power Requirements	Supplied from the MFP main body	
Max. Power Consumption	56 W or less	
Dimensions [W] x [D] x [H]	528 x 641 x 1,023 mm (20-3/4" x 25-1/4" x 40-1/4")	
Weight	Approx. 40 kg (88-1/4 lb)	

\*1 Short edge feed

## Saddle Stitcher SD-511 (Optional)



Applicable	Finisher FS-534
Support Paper Type	Centre Staple: 60 to 90 g/m <sup>2</sup> Half-Fold: 60 to 209 g/m <sup>2</sup> (more than 91 g/m <sup>2</sup> Thick paper can be used only as a cover page) Tri-Fold: 60 to 90 g/m <sup>2</sup>
Support Paper Size	Centre Staple, Half-Fold: A3, B4, A4 <sup>1</sup> , 11" x 17", 8-1/2" x 14", 8-1/2" x 11" <sup>1</sup> , 8K Tri-Fold: A4 <sup>1</sup> , 8-1/2" x 11" <sup>1</sup> , 16K <sup>1</sup>
Maximum Number of Sheets that can be Centrestapled	20 (60 to 90 g/m <sup>2</sup> ) sheets, or 19 (90 g/m <sup>2</sup> ) sheets + Thick (209 g/m <sup>2</sup> ) 1 sheet
Maximum Number of Folded Sheets	Half-Fold: 5 sheets or Thick (91 to 209 g/m <sup>2</sup> ) 1 sheet, Tri-Fold: 3 sheets
Stacking Capacity	1 to 3 sheets: 20 sets 4 to 10 sheets: 10 sets 11 to 20 sheets: 5 sets Tri-Fold (1 sheet): 30 sets Tri-Fold (2-3 sheets): 10 sets
Power Requirements	Supplied from Finisher FS-534
Dimensions [W] x [D] x [H]	210 x 556 x 547 mm (8-1/2" x 21-3/4" x 21-1/2")
Weight	Approx. 24 kg (53 lb)

\*1 Short edge feed

## Punch Kit PK-520 (Optional)



Applicable	Finisher FS-534
Number of holes	2 holes or 4 holes
Support Paper Type (Weight)	Plain paper (60 to 90 g/m <sup>2</sup> ), Thick paper (91 to 220 g/m <sup>2</sup> )
Support Paper Size	A3 to B5, 11" x 17" to 7-1/4" x 10-1/2", 16K, 8K
Power Requirements	Supplied from Finisher FS-534
Dimensions [W] x [D] x [H]	61 x 492 x 142 mm (2-1/2" x 19-1/2" x 5-1/2")
Weight	Approx. 1.8 kg (4 lb)

## Paper Feed Cabinet PC-113 (Optional)



Support Paper Type (Weight)	Plain paper (60 to 90 g/m <sup>2</sup> ) Thick paper (91 to 220 g/m <sup>2</sup> )
Support Paper Size	A3 to A5 <sup>1</sup> , 11" x 17" to 5-1/2" x 8-1/2", 8" x 13", 16K, 8K
Paper Capacity	Top tray (Tray 3) Plain paper: 500 sheets, Thick paper: 150 sheets
Power Requirements	Supplied from the MFP main body
Dimensions [W] x [D] x [H]	564 x 640 x 298 mm (22-1/4" x 25-1/4" x 11-3/4")
Unit Configuration	Paper tray, 1 level
Weight	Approx. 23 kg (50-3/4 lb)

\*1 Short edge feed

## Paper Feed Cabinet PC-213 (Optional)



Support Paper Type (Weight)	Plain paper (60 to 90 g/m <sup>2</sup> ) Thick paper (91 to 220 g/m <sup>2</sup> )
Support Paper Size	A3 to A5 <sup>1</sup> , 11" x 17" to 5-1/2" x 8-1/2", 8" x 13", 16K, 8K
Paper Capacity	Top tray (Tray 3) Plain paper: 500 sheets, Thick paper: 150 sheets Bottom tray (Tray 4) Plain paper: 500 sheets, Thick paper: 150 sheets
Power Requirements	Supplied from the MFP main body
Dimensions [W] x [D] x [H]	564 x 640 x 298 mm (22-1/4" x 25-1/4" x 11-3/4")
Unit Configuration	Paper tray, 2 level
Weight	Approx. 26 kg (57-1/4 lb)

\*1 Short edge feed

## Paper Feed Cabinet PC-413 (Optional)



Support Paper Type (Weight)	Plain paper (60 to 90 g/m <sup>2</sup> ) Thick paper (91 to 220 g/m <sup>2</sup> )
Support Paper Size	A4 <sup>1</sup> , 8-1/2" x 11" <sup>1</sup>
Paper Capacity	Plain paper: 2,500 sheets, Thick paper: 1,000 sheets
Power Requirements	Supplied from the MFP main body
Dimensions [W] x [D] x [H]	564 x 640 x 298 mm (22-1/4" x 25-1/4" x 11-3/4")
Unit Configuration	Paper tray, 2 level
Weight	Approx. 24.5 kg (54 lb)

\*1 Long edge feed

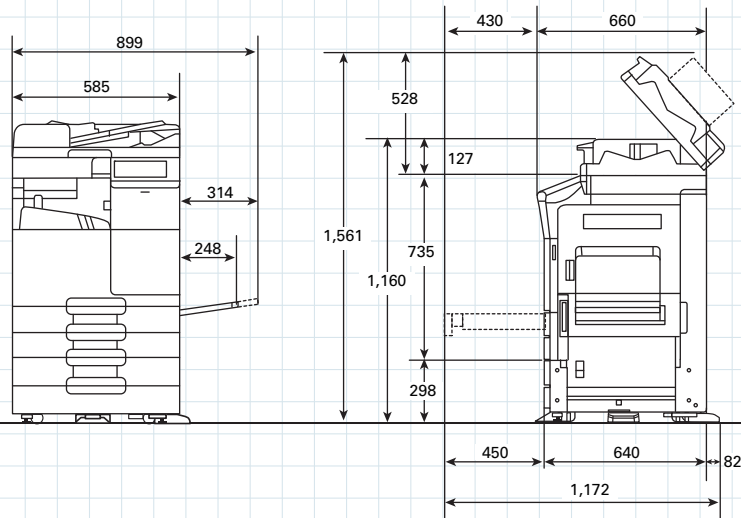
## Authentication Unit (IC Card type) AU-201S (Optional)

Applicable Card	FeliCa (IDm), SSFC, FCF, FCF (campus), FeliCa Private, TypeA MIFARE (UID), NFC (Host Card Emulation)
Interface	USB 2.0
Power Supply	Power received from USB port
Dimensions [W] x [D] x [H]	98 x 64 x 13 mm (3-7/8" x 2-1/2" x 1/2") (not including projections)
Weight	Approx. 100 g (1/4 lb)

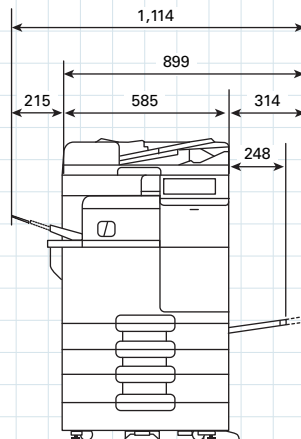
## Authentication Unit (Biometric type) AU-102 (Optional)

Biometric Sensor System	Transmission-type optical system
Interface	USB 2.0
Verification Time	Approx. 1 sec. or less
Max. Power Consumption	DC 5 V 500 mA
Dimensions [W] x [D] x [H]	59 x 82 x 74 mm (2-1/4" x 3-1/4" x 3")
Weight	Approx. 96 g (1/4 lb) (excluding USB cable)

■ bizhub 367/287/227 + DF-628 + PC-213 (PC-113/PC-413/DK-513)



■ bizhub 367/287/227 + DF-628 + PC-213 (PC-113/PC-413/DK-513) + FS-533



■ bizhub 367/287/227 + DF-628 + PC-213 (PC-113/PC-413/DK-513) + FS-534 + SD-511

